

ComEx Control Stations

also for Zone 21 and Zone 22



- 3 standard enclosures
- Easy to install
- Extremely flexible
- Customer-tailored solutions

ComEx is a flexible system offering standard as well as customer-specific local control and indicating units.

You have the choice between three standard enclosures which can accommodate up to three different control and indicating devices. Combinations of up to three ComEx enclosures are possible.

Either stuffing box glands in M20 x 1.5 and M25 x 1.5 made of plastic or cable glands made of metal are available for the electrical connection.

The plastic glands require no lock nuts.

Metal glands are screwed into a metal earth plate sheet inside of the enclosure. Maximum amount of cable glands: two off M20.

To ensure easier operation on site, each enclosure can be equipped with an individual info-label.

For offshore applications special oil-resistant attachments are available.

Explosion protection

| | |
|--------------|------------------------------|
| Marking ATEX | Ex II 2G Ex d e IIC T6 Gb or |
| | Ex II 2G Ex d e ia IIC T6 Gb |
| | Ex II 2D Ex tb IIIC T80°C Db |

| | |
|---------------|--------------------|
| Certification | CML 14 ATEX 3073 X |
|---------------|--------------------|

| | |
|---------------|-----------------------|
| Marking IECEx | Ex db eb IIC T6 Gb |
| | Ex db eb ia IIC T6 Gb |
| | Ex tb IIIC T80°C Db |

| | |
|---------------|--------------------|
| Certification | IECEx CML 14.0029X |
|---------------|--------------------|

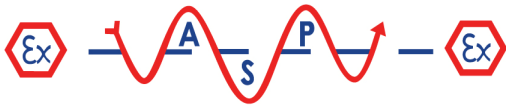
Other approvals and certificates, see www.bartec-group.com

| | |
|---------------------|----------------------------|
| Ambient temperature | up to -55 °C ≤ Ta ≤ +60 °C |
|---------------------|----------------------------|

| | |
|------------------|--|
| Product printing | Standard: ATEX and IECEx marking. Other markings on request. Please specify in plain text. |
|------------------|--|

Technical data

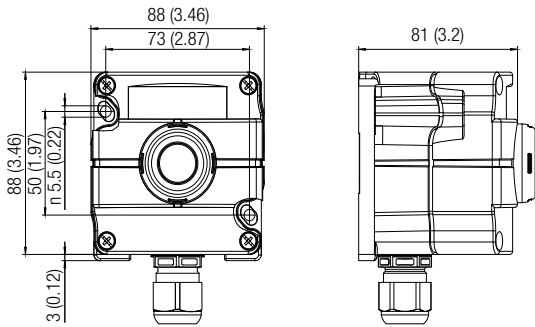
| | |
|--------------------------|--|
| Connection | Terminals 2.5 mm ² |
| PE conductor terminals | 4 x 2.5 mm ² |
| Rated insulation voltage | max. AC 690 V |
| Nominal current | max. 16 A |
| Cable entry | M20 x 1.5 for cable Ø 7 to 13 mm M25 x 1.5 for cable Ø 12 to 17 mm M25 x 1.5 for cable Ø 14 to 18 mm |
| Enclosure | thermoplastic |
| Protection class | up to IP 66/IP 67 |



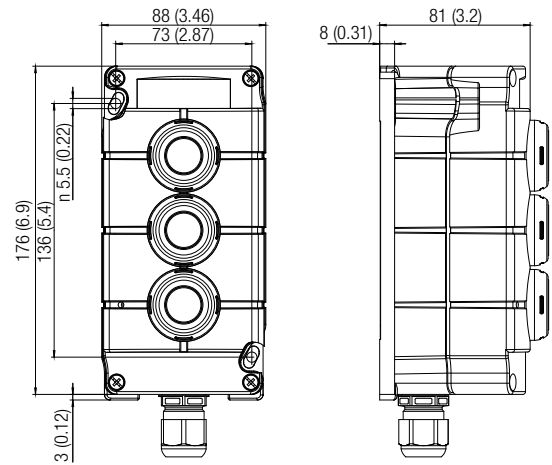
ComEx Control Stations

also for Zone 21 and Zone 22

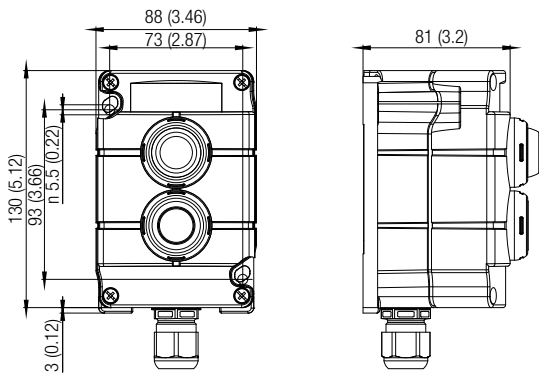
Control unit, single Type 07-3511-....

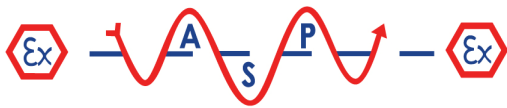


Control station, triple Type 07-3513-....



Control station, double Type 07-3512-....



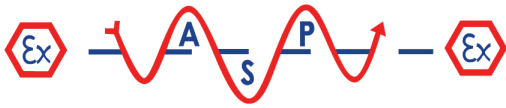


ComEx Control Stations

also for Zone 21 and Zone 22

Selection chart Actuator elements

| Illustration | Description | Code no. |
|--|--|----------------------|
|  | Pushbutton with rubber membrane and with five loose labels: red, green, yellow, white, black | P7 |
|  | Double pushbutton actuator with rubber membrane, 5 loose labels in red, green, yellow, white, black | P2 |
|  | Emergency/Stop marked 'NOT/AUS EMERGENCY/STOP' | N8 |
|  | Locking mushroom push button pushed in without a key unlocked with a key DOM lock 4 A 185 | K3 |
|  | Mushroom pushbutton, black | P8 |
|  | Position selector switch 2 positions, 0 + I latching | S9 |
|  | Position selector switch 3 positions I-0-II I + II latching I + II momentary-contact I latching, II momentary-contact I momentary-contact, II latching | S0 S1 S2 S3 |

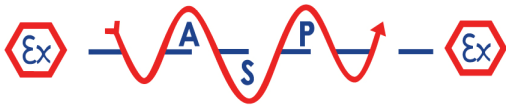


ComEx Control Stations

also for Zone 21 and Zone 22

Selection chart Actuator elements






| Illustration | Description | Code no. |
|--------------|---|----------|
| | Lock (DOM) lockable in both positions key retractable in both positions lock 4 A 185 | K0 |
| | lockable in its depressed position, key retractable in its depressed position lock 4 A 185 | K1 |
| | lockable in its initial position, key retractable in its initial position lock 4 A 185 (tip lock) | K2 |
| | Lock (RONIS) Lock 455 | E0 |
| | 2 switching positions 0-I latching, key retractable | E1 |
| | 2 switching positions 0-I momentary contact, position I key not retractable | E2 |
| | Lamp | LR |
| | red | LG |
| | green | LY |
| | yellow | LW |
| | white | LB |
| | Illuminated button actuator | TR |
| | red | TG |
| | green | TY |
| | yellow | TW |
| | white | TB |
| | Blanking plug black, to cover unused holes in the front panel | B1 |
| | Potentiometer actuating element black, scale 1 - 10 | D0 |



ComEx Control Stations

also for Zone 21 and Zone 22

Selection chart Modules

| Illustration | Description | Code no. | |
|--|--------------------|----------|----|
|  | Switch module | | |
| | 1 NC/1 NO | 4 | |
| | 2 NC | 1 | |
| | 2 NO | 2 | |
|  | Indicator light | | |
| | red | R | |
| | green | G | |
| | yellow | Y | |
| | white | W | |
| | blue | B | |
|  | Illuminated button | | |
| | red | 1 NO | RB |
| | green | 1 NO | GB |
| | yellow | 1 NO | YB |
| | white | 1 NO | WB |
| | blue | 1 NO | BB |
| | red | 1 NC | RA |
| | green | 1 NC | GA |
| | yellow | 1 NC | YA |
| | white | 1 NC | WA |
| | blue | 1 NC | BA |
|  | Potentiometer | | |
| | Resistance values | | |
| | 1 kΩ | 4 | |
| | 2.2 kΩ | 5 | |
| | 4.7 kΩ | 6 | |
| | 10 kΩ | 7 | |
|  | Terminal block | 6 | |
| with 6 modular terminals 2.5 mm ² , Ex e II | | | |

Complete order no.

Actuator element resp. Lamp module operator



Switch module resp. Indicator light or Terminal block



Measuring instrument



Please insert code number.

Control unit, single Ex e 07-3511-10/Ex i 07-3514



Control unit, double Ex e 07-3512-10/Ex i 07-3515



Control unit, double Ex e 07-3512-10/Ex i 07-3515

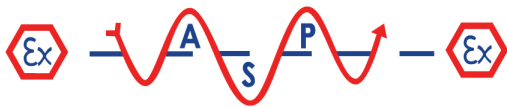


Control unit, triple Ex e 07-3513-10/Ex i 07-3516



Control unit, triple Ex e 07-3513-10/Ex i 07-3516





ComEx Control Stations

also for Zone 21 and Zone 22

Selection chart Accessories

| Illustration | Description | Order no. |
|--|--|--------------|
|  | Cable gland | |
| | zur for inserting permanent cables and leads | |
| | Ex e, black domed cap nuts | 03-6062-01.. |
| | Ex i, blue domed cap nuts (intrinsically safe circuit) | 03-6065-00.. |
| | see capture Installation systems/Cable glands | |
|  | Locking device (without padlock) for ComEx enclosure | |
| | NIRO frame, transparent hood of high-quality thermoplast | |
|  | Protective metal shroud | |
| | for emergency stop actuating element to prevent accidental switching | |
|  | External earth stud | |
| | for outside-connection | |
|  | Conduit adapter | |
| | tested adapter for ComEx enclosure with NPT internal thread | |
| | Thread 1/2" NPT | |
| | Thread 3/4" NPT | |
|  | Earth plate ComEx | |
| | for earthing of metal cable glands | |
| | Thread 1 x M20 | 05-0012-0114 |
| | Thread 2 x M20 | 05-0012-0115 |
| | Thread 1 x M25 | 05-0012-0116 |
|  | Installation kit for control switches | |
| | in control units | |
| | for enclosures with wall thicknesses of 1 to 2 mm | 05-0091-0187 |
| | for enclosures with wall thicknesses of 2.5 to 5 mm | 05-0091-0188 |